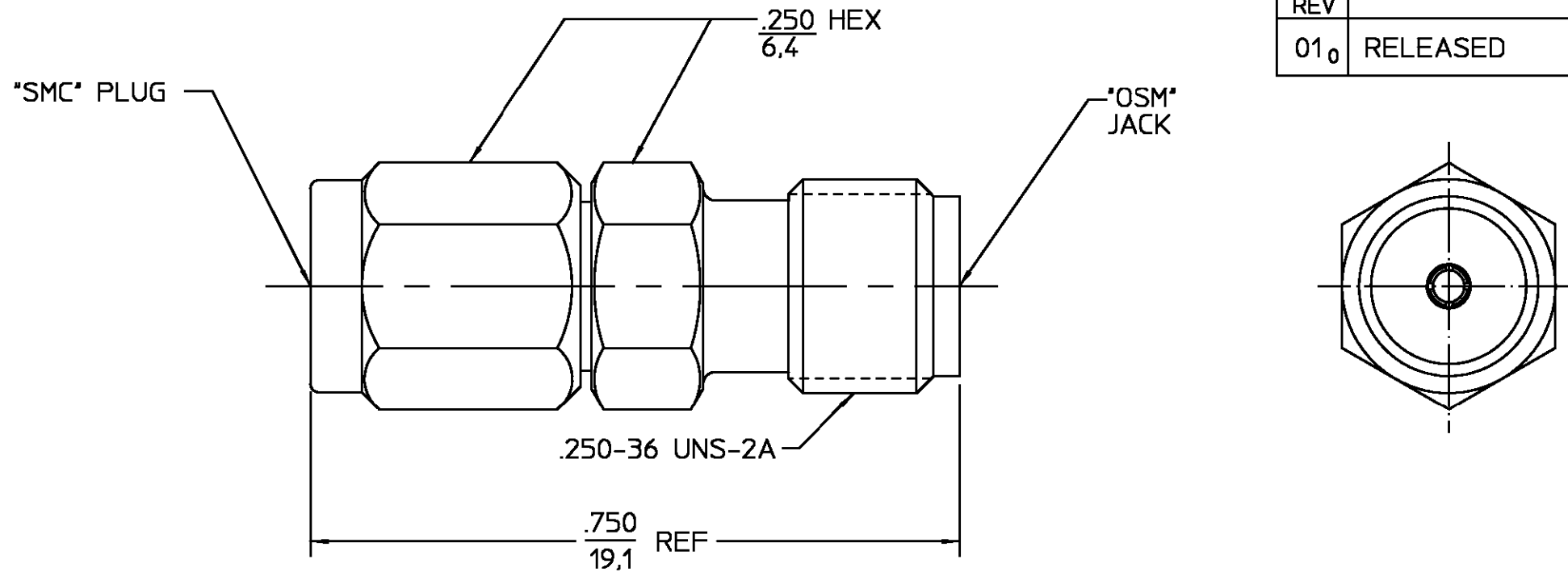


REVISIONS			
REV	DESCRIPTION	DATE	APPROVED
01 ₀	RELEASED	4/14/99	



NOTES:

1. CAPTURED CENTER CONTACT

ELECTRICAL	MECHANICAL	ENVIRONMENTAL
Nominal Impedance (Ohms) <u>50</u>	Interface Dimensions	Temperature Rating <u>-65°C to +125°C</u>
Frequency Range (GHz) DC to <u>4.0</u>	<u>SMB MIL-STD-348A 311-1</u>	Vibration MIL-STD-202, Method
Volt Rating (VRMS MAX)	<u>OSM MIL-STD-348A 310-2</u>	204, Condition B
@ Sea Level <u>335</u>	Recommended Mating Torque	Shock MIL-STD-202, Method 213,
VSWR <u>1.25+0.04f(GHz)</u>	<u>SMC 30-50 In-Ozs</u>	Condition B
Insertion Loss (dB MAX) <u>.03 @ 1.5GHz</u>	Mating Characteristics:	Thermal Shock MIL-STD-202,
RF Leakage (dB MIN) <u>-55 @ 2 to 3 GHz</u>	<u>SMB</u> <u>OSM</u>	Method 107, Condition B,
Corona, 70,000 Ft (VRMS MIN) <u>250</u>	Insertion <u>2.5</u> <u>3.0</u>	Except High Temp +85°C
Dielectric Withstanding Voltage	Withdrawal <u>1.0</u> <u>2.0</u>	Moisture Resistance MIL-STD-202,
(VRMS MIN) @ Sea Level <u>1,000</u>	Force to Engage/Disengage (Lbs)	Method 106 Shall Be Omitted
Contact Resistance (Milliohms MAX)	<u>SMB</u> <u>14.0</u>	Corrosion - MIL-STD-202, Method
Center Contact <u>6.0</u>	<u>OSM</u> <u>2.0</u>	101, Condition B, 5% salt spray
Outer Contact <u>1.0</u>	Contact Retention	
RF High Potential @ Sea Level	Axial (Lbs) <u>6.0</u>	
(VRMS MIN @ 5 MHz) <u>700</u>	Radial (In-Oz) <u>4.0</u>	
I.R.(Megohms MIN) <u>1,000</u>	Weight (Grams) <u>TBD</u>	

HOUSING COUPLING NUT	STAINLESS STEEL PER ASTM-A484 AND ASTM-A582, TYPE 303	PASSIVATE PER QQ-P-35
DIELECTRIC	PTFE FLUOROCARBON PER ASTM-D-1457	N/A
CENTER CONTACT	BERYLLIUM COPPER PER ASTM-B-196 OR ASTM-B-197, ALLOY C17300, CONDITION H	GOLD PLATE PER MIL-G-45204
RETAINING RING	BERYLLIUM COPPER PER ASTM-B-194, ALLOY C17200, CONDITION H	N/A
COMPONENT	MATERIAL	FINISH
UNLESS OTHERWISE SPECIFIED DIMENSIONS ARE IN INCHES		
FRAC. ± 1/32	DEC. ± .005	ANGLES ± 2°
DRAWN BY RUDY	DATE 1/21/98	AMP Incorporated 140 Fourth Avenue Waltham, MA 02451-7599
CHECKED BY		
APPD BY	4/14/99	AMP TITLE "SMC" PLUG TO "OSM" JACK ADAPTER SIZE B CODE IDENT NO. 5082-2240-00 REV 01 ₀ SCALE 6:1 SHEET 1 OF 1
USE ASSY PROCEDURE	NO. A.P. N/A	

These drawings and specifications are the property of AMP Interconnect Div. and shall not be reproduced or copied or used in whole or in part as the basis for the manufacture or sale of item(s) without written permission.